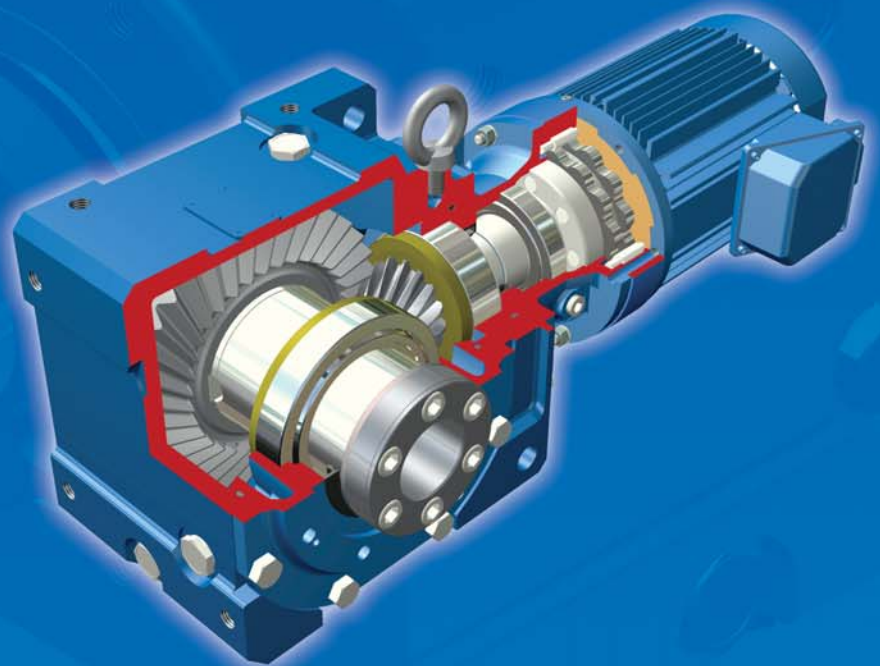


Sumitomo Drive Technologies
Always on the Move

Cyclo[®] BBB



► Right Angle Spiral Bevel Gearbox with Cyclo[®] Reducer Input

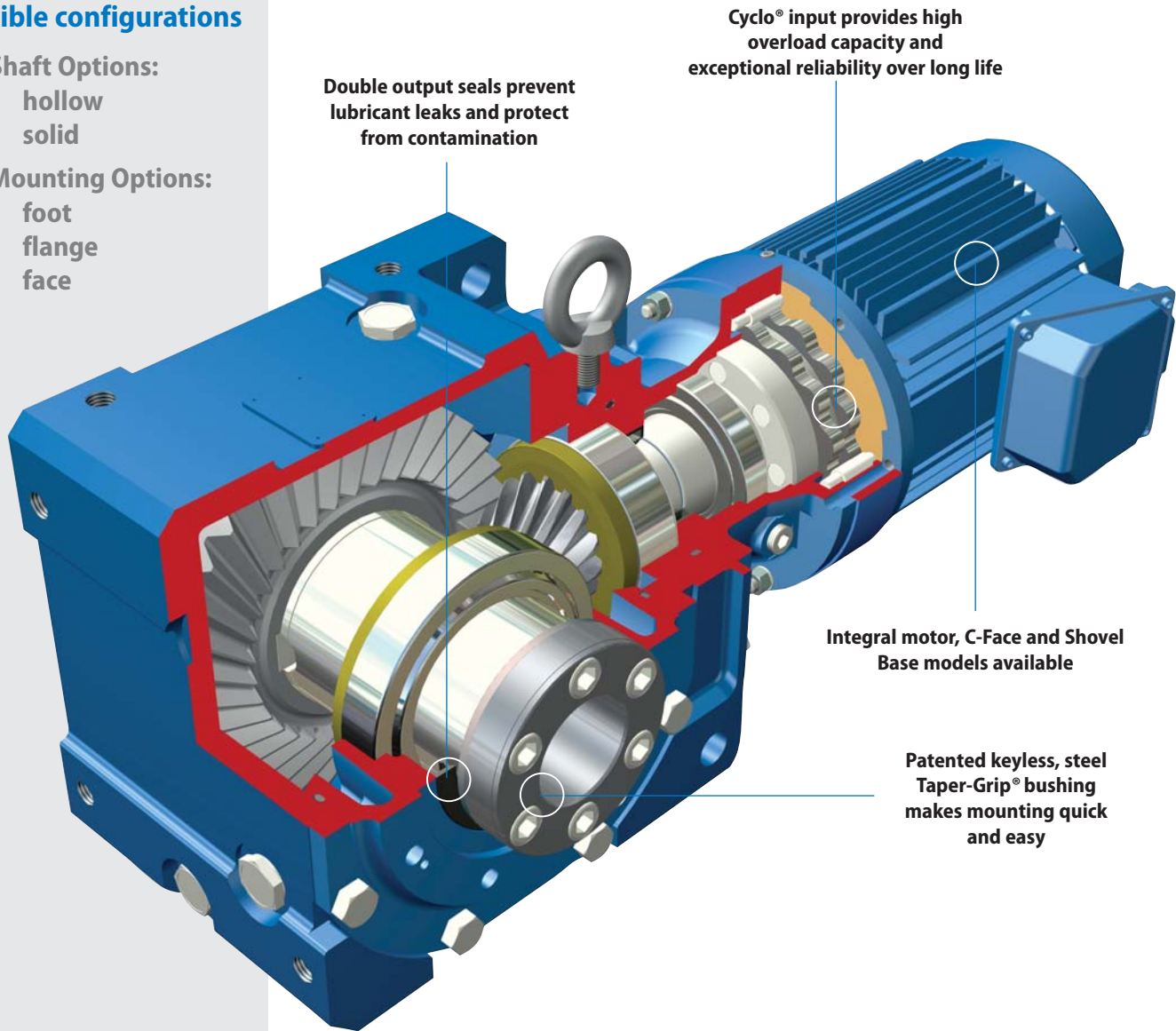
Cyclo[®] BBB

Bevel Buddybox

Right Angle Spiral Bevel Gearbox with Cyclo[®] Reducer Input

► Flexible configurations

- Shaft Options:
hollow
solid
- Mounting Options:
foot
flange
face



Cyclo[®] Quality and Reliability, Right Angle Design

- High performance steel gearing components deliver **up to 94% efficiency**



Product Description

Sumitomo's Cyclo® Bevel Buddybox (Cyclo® BBB) speed reducers and gearmotors are the **ultimate right angle drives for challenging applications**. The Cyclo® BBB combines the quiet, efficient and reliable performance of the Cyclo® technology input with the **rugged spiral bevel** gearbox output. The **modular design** provides a compact, torque-dense product with the most flexible range of output speed and torque combinations available. The Cyclo® BBB easily adapts to shaft-mounted as well as solid shaft mounting arrangements. Sumitomo's patented Taper Grip® bushing system enhances the Cyclo® BBB value by offering a simple shaft-mounting device that **provides self-aligning, backlash-free torque transmission** to the driven shaft. The Cyclo® BBB and Taper Grip® bushing system provide solutions for the most demanding applications.

Features & Benefits

- **Cycloidal speed reduction technology**
 - ~ Quiet, efficient and reliable operation with high torque density and compact size
- **Modular design**
 - ~ Interchangeable cast iron housings in foot, flanged or face mount configurations
- **High performance steel spiral bevel gearing**
 - ~ Deliver efficiencies of up to 94% across the entire product range
- **Double output seals**
 - ~ Virtually leak-free operation and optimal protection from lubrication contamination
- **Taper Grip® Bushing**
 - ~ Simple, steel, keyless shaft mounting system resists fretting and eases unit installation and removal from driven shaft

Specifications Summary

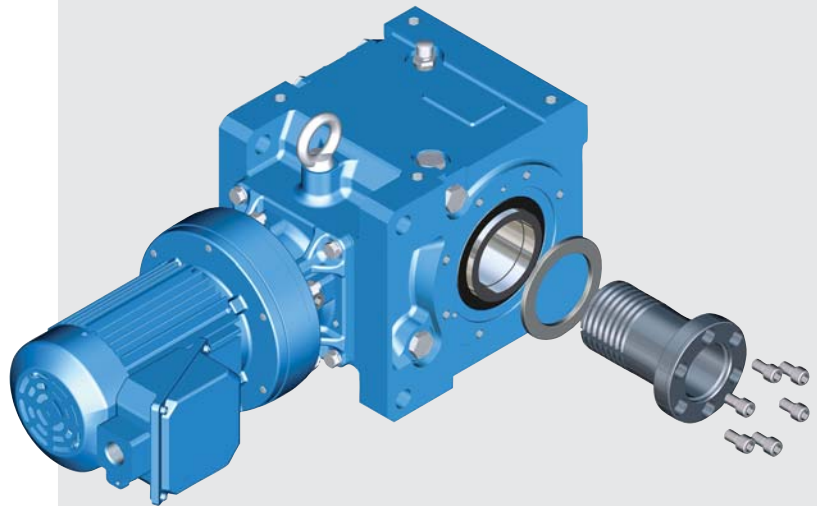
Ratios:	11:1 to 26,000:1 and greater
Torque Capacity:	94,700 in. lbs.
HP:	1/8 to 40
Mounting:	Hollow Shaft, Solid Shaft with Foot, Flange, Face
Options:	Integral Motor, C-Face and Shovel Base
Motor Standards:	NEMA, IEC, JIS, UL, CSA, CE

► Keyless, steel Taper-Grip® bushing makes mounting of hollow shaft units easy and economical

The Sumitomo **Taper-Grip®** bushing is a keyless, torque transmission device integrated into the shaft mounted, right angle Cyclo® BBB reducer and gearmotor product lines.

The **unique, patented design** has a number of benefits:

- Easy mounting and removal of the unit to and from the driven shaft
- Standard bore sizes require no shaft preparation such as a keyway, undercut, or keeper plate
- Backlash free torque transmission
- Works with standard shafting, no special tolerances required
- Automatic shaft center alignment
- Resistant to fretting and corrosion
- Multiple stock bore sizes for quick delivery.



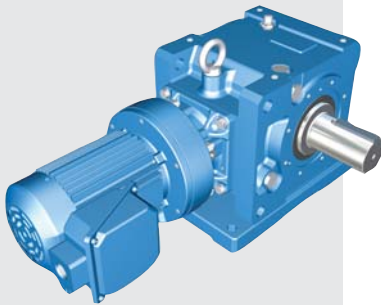
► Applications

- Material Handling
- Asphalt Mixers
- Capstan Drive
- Rolling Mill Table
- Wire Drawing Machines
- Food Processing
- Belt Filter Presses
- Shredders/Compactors

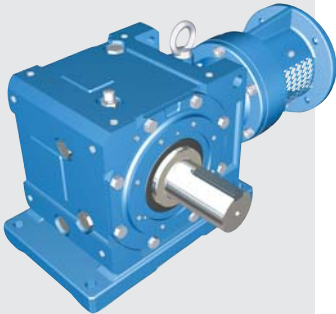
Cyclo[®] BBB Bevel Buddybox

Right Angle Spiral Bevel Gearbox with Cyclo[®] Reducer Input

► **Product Range**
Standard Motor
and Reducer
Combinations



Solid shaft, foot-mounted models available



Single Reduction Ratios 11 – 305 Combinations with 1750 RPM motor

Ratio	11	18	21	28	39	46	53	60	74	88	102	123	151	179	207	249	305	417	
Output Speed RPM (60 Hz)	159	97.2	83.3	62.5	44.9	38	33	29.2	23.6	19.9	17.2	14.2	11.6	9.8	8.45	7.03	5.74	4.20	
1/4																			
1/3																			
1/2																			
3/4																			
1																			
1.5																			
2																			
3																			
5																			
7.5																			
10																			
15																			
20																			
25																			
30																			
40																			

Double Reduction Ratios 364 – 5177 Combinations with 1750 RPM motor

Ratio	364	424	501	578	683	809	956	1117	1320	1656	1957	2272	2559	2944	3511	4365	5177	7228	10658	
Output Speed RPM (60 Hz)	4.81	4.13	3.5	3.03	2.56	2.16	1.83	1.57	1.33	1.06	0.894	0.77	0.684	0.595	0.499	0.401	0.338	0.242	0.164	
1/8																				
1/4																				
1/3																				
1/2																				
3/4																				
1																				
1.5																				
2																				
3																				
5																				
7.5																				

Headquarters & Manufacturing

4200 Holland Boulevard
Chesapeake, VA 23323
Tel: 757-485-3355
Fax: 757-485-7490
E-mail:
Customer_Service@suminet.com

North & South America

USA: 757-485-3355
Canada: Toronto 905-469-1050
Mexico: Monterrey 011-52-81-8144-5130
Mexico City 011-52-55-5368-7172
Brazil: Sao Paulo 011-55-11-5585-3600
Chile: Santiago 011-562-786-6963
Argentina: Buenos Aires 011-54-11-4765-5332
For worldwide location details: www.sumitomodrive.com

World Headquarters - Japan

Sumitomo Heavy Industries, Ltd.
Power Transmission & Controls Group
5-9-11, KITA-Shinagawa, Shinagawa-Ku
Tokyo 141-8686 Japan
Tel: 011-813-5488-8363 • Fax: 011-813-5488-8365